



Controls Implementation Manager (m/w)

Vollzeit | Hart bei Graz, Österreich

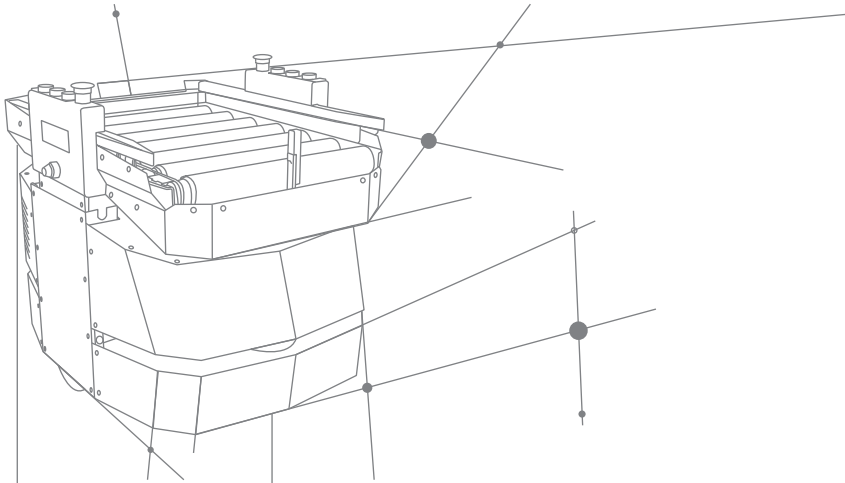
#yourmission

- You manage a team of up to 40 engineers in our customer sites
- You have a clear picture of time, cost and quality at your project
- For the field of controls, you are the main interface to the managers of installation, software commissioning, development as well as site management and project management
- You are responsible to track the progress of your team and do continuous reporting to your line manager and project management
- You oversee the actual workload on site and plan turnarounds for your employees and also request additional players on site if the situation requires to
- You attend all relevant project meetings and represent the controls commissioning there
- In the field of controls commissioning you are the main contact for the customer
- You lead, execute and coordinate tests on site
- You understand the quality standards and make sure that these are met

#youareknapp

- You have 3+ years experience in implementing and/or commissioning automated systems
- You have an education in controls (e.g. PLC) or similar
- You have a good knowledge of project management and tools used for project management
- Basic leadership experience will help you to fulfil the job
- You have excellent skills in MS Office (Word, Excel, Powerpoint, MS Teams)
- Knowledge in SAP would be a bonus
- You are a reliable person and able to perform under pressure
- You understand failures as a chance to learn and have an open approach to feedback





- You have excellent skills in German and English (written & spoken)
- You are willing to travel internationally (90%) and work flexible hours based on the project needs

#weareknapp

In this job, the world is yours and variety is guaranteed. We also support our globetrotters abroad with our KNAPPvital program. For this position, a minimum salary of EUR 3.000 gross per month applies for career starters. However, we offer a payment in line with the market depending on your qualifications and previous experience. The foreign assignments also represent an attractive additional income.

