

## Resident Team Leader

Full time | Province of Belluno,

KNAPP Italia is now looking to expand their Service Resident team by adding 2 team leaders to support the highly automated warehouse system of an internationally renowned customer, who provides fashion eyewear and is based in the province of Belluno.

### Roles and responsibilities:

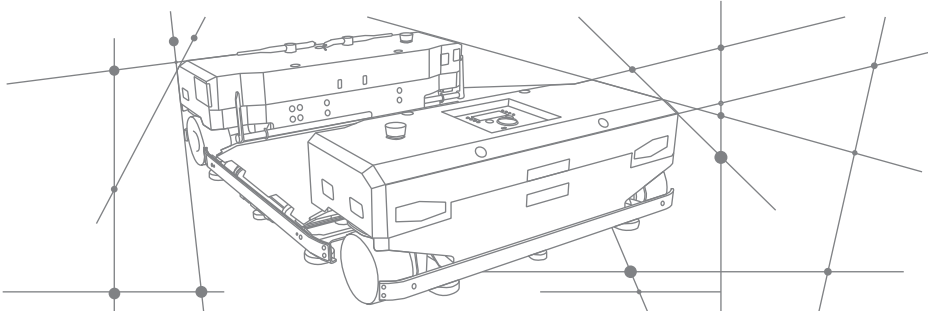
The candidate will carry out amongst others the following activities:

- Coordinate the activities of the team of electromechanical technicians assigned to him and any external companies in charge of carrying out the repairs
- Provide assistance in the maintenance activities of the installed system
- Ensure that all spare parts related issues are addressed quickly and efficiently
- Ensure that every activity of the technical team is documented on the CMMS
- Provide the customer an effective and efficient response according to the „right first time“ approach together with the team of technicians
- Participate in periodic meetings with the customer and other team leaders
- Provide maintenance support in the event of an emergency due to breakdown or following problems with the installed systems
- Actively participate with the customer in issue management and the internal escalation process for all aspects related to maintenance
- Guarantee an optimal level of performance by checking on-site maintenance activities, the speed of response and the quality of the repair as well as the standards of execution of the works

We are looking for candidates who have previous experience in managing a team, able to work under pressure, able to motivate and encourage their work team by promoting a healthy and collaborative environment.

### Requirements for applicants

- Technical diploma in electrics, electronical engineering, mechanics, mechanical engineering, IT, automation
- Ability to read and understand mechanical and electrical diagrams
- Knowledge in the pneumatic / hydraulic field



- Knowledge of sensor technology in industrial automation
- Ability to diagnose mechanical, electrical, and electronic faults and malfunctions
- Ability to perform the necessary interventions to restore the functionality of worn, faulty or malfunctioning components
- Install and commission mechatronic components and systems
- Carry out routine maintenance on systems and appliances
- Take care of the management and maintenance of robotic and automation systems
- Optimize systems, machines and plants using automated control tools
- Experience in the use of CMMS
- Understanding the overall effectiveness of equipment (OEE) and its performance metrics
- Previous experience as team leader / shift manager / department head
- Knowledge of English and Italian

This position requires you to work in shifts (24/7 operation), normally on 5 out of 7 weekdays. Only applicants who are residents of the province of Belluno or those who are willing to relocate will be considered.

We look forward to your application, which you can send to [hr.knappitalia@knapp.com](mailto:hr.knappitalia@knapp.com). Please title the subject of your email ?Application for Team Leader Resident?.