

SAP® Consultant for intralogistics projects (m/f/d)

fulltime | Sofia,

#yourmission

- Together with your project team, you implement the warehouse logistics software SAP EWM for large and well-known customers.
- You understand and identify with the requirements of our customers and advise them on their future business processes for optimal use of their logistics.
- Together with the project team, you will develop the overall solution for the customer and the specifications.
- You implement the coordinated solutions together with your project team (customizing, development lists, testing, etc.).
- You ensure a smooth introduction to the customer (commissioning, go live, hypercare).

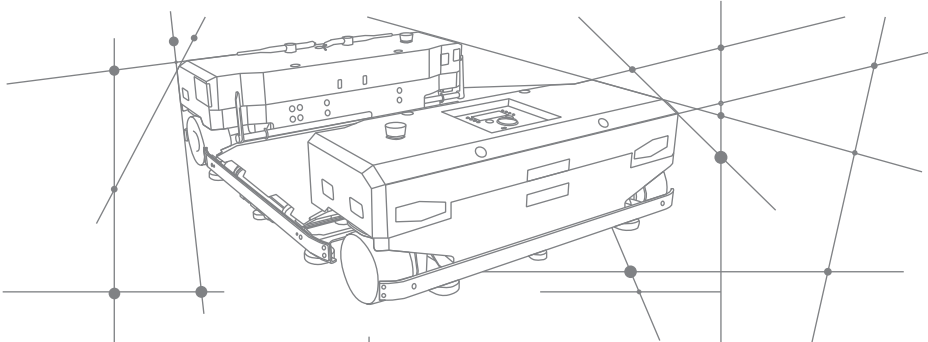
#youareknapp

- You have a technical or economic education (colleges or university degree).
- You have at least 3 years of experience in one or more SAP SCM modules.
- In total, you have at least 5 years of professional experience from IT projects and/or technical projects.
- Ideally, you can contribute your expertise in automation solutions (shuttle systems, conveyor technology, high-bay warehouse,...) to us.
- Due to our international focus, we expect very good written and spoken English.
- 30% travel activity

#weareknapp

At KNAPP IT Solutions, we are both KNAPP and SAP, combining the best of both worlds. Two worlds of excellence ? KNAPP the leading global technological expert for intelligent and automated solutions for logistics, intralogistics, and production, and SAP ? the world's largest provider of company applications, the premiere business software.

We will make you a SAP® Logistics Expert in a range of positions. We offer



you the chance to work in intercultural project teams with well-known customers worldwide and to take on responsibility very quickly. As a member of our 100 employees in Sofia/Bulgaria, Graz/Austria and Würzburg/Germany you will experience an appreciative environment with interaction on a first-name basis, flat hierarchies, and future security (KNAPP and SAP internationally successful and future-oriented companies). And all that with flexible working-time models because your time is precious.

Elena Beleva

|
Tel.
knapp.com